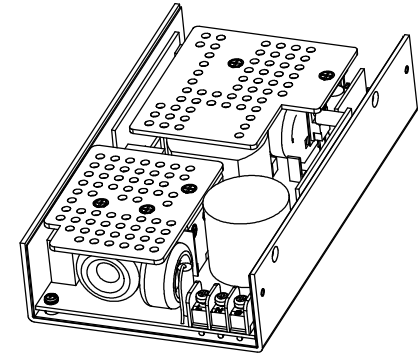
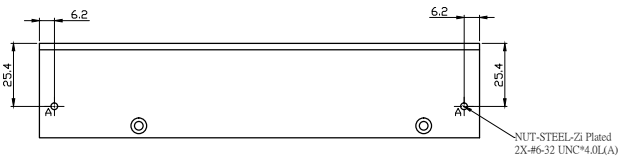
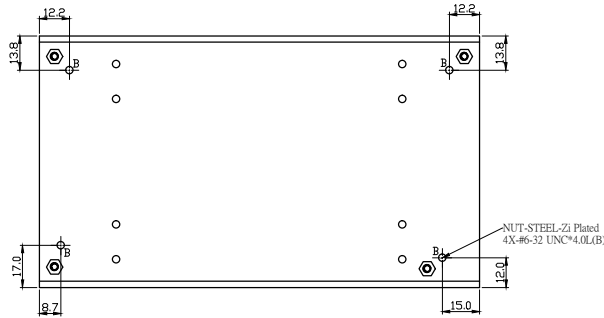


CONN.	SOURCE	VENDOR	DESCRIPTION	VENDOR P/N
INPUT	1 st	DINKLE	HOUSING 03 POS.	DT-35-B01W-03
	2 nd	EQUIV		
GND +12V	1 st	DINKLE	P-830N	
	2 nd	EQUIV		
A1	1 st	CvILux	HOUSING 05 POS.	CI0105P1VK0-LF
	2 nd	EQUIV		
A2	1 st	CvILux	HOUSING 02POS.	CI5202P1V00-LF
	2 nd	EQUIV		
A3	1 st	CvILux	HOUSING 04 POS.	CI5204P1V00-LF
	2 nd	EQUIV		
A4	1 st	CvILux	HOUSING 05 POS.	CI0105P1HK0-LF
	2 nd	EQUIV		

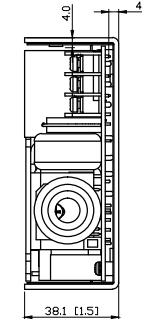
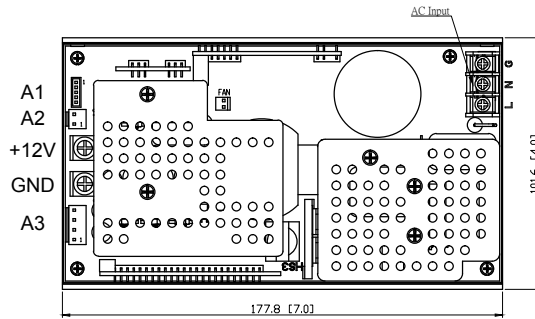
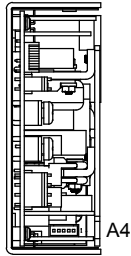


CONN.	PIN NUM	PIN NAME
A1	1	+5VSB
	2	+5VSB
	3	GND
	4	GND
	5	GND

CONN.	PIN NUM	PIN NAME
A2	1	GND
	2	+24V

CONN.	PIN NUM	PIN NAME
A3	1	
	2	
	3	
	4	

CONN.	PIN NUM	PIN NAME
A4	1	DCDK
	2	PSDN
	3	
	4	
	5	+12VRS



RANGE	TOL. +/-				
	NCT	TOL	OTH	PAK	WIR
0 ~ <6	0.20	0.20	0.20	1.00	2.00
6 ~ <30	0.25	0.20	0.35	1.00	3.00
30 ~ <120	0.30	0.25	0.45	2.50	5.00
120 ~ <300	0.45	0.30	0.60	3.50	8.00
300 ~ <600	0.60	0.50	0.80	4.50	10.00
600 ~ <1200	1.00	0.80	1.00	5.50	15.00
ANG. TOL.	0.5°				



Aras Power Technologies Taiwan Branch
美商汎瑞斯電子科技(股)公司台灣分公司

Designed	Jiun Huang	DESCRIPTION:	PART NO.:	MODEL NO.:			
Draw	Jiun Huang	PSU OUTLINE	ARFU-4012-00-0D	ARFU-4012-00			
Approved		MATERIAL	AL(1100) T=2.0 mm	DWG NO.		REV.	01
		FINISH		3D FILE		SHEET	1 OF 1
		ORIGINAL RELEASE		06/10/11'		Jiun	
		DESCRIPTION		DATE		APP	