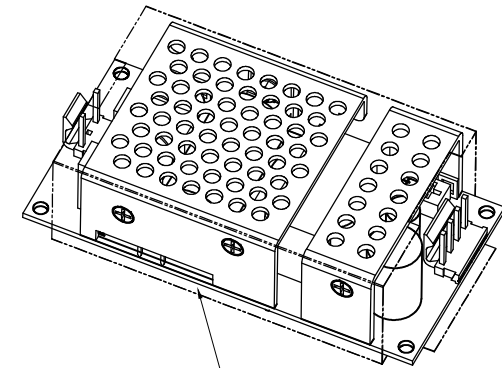
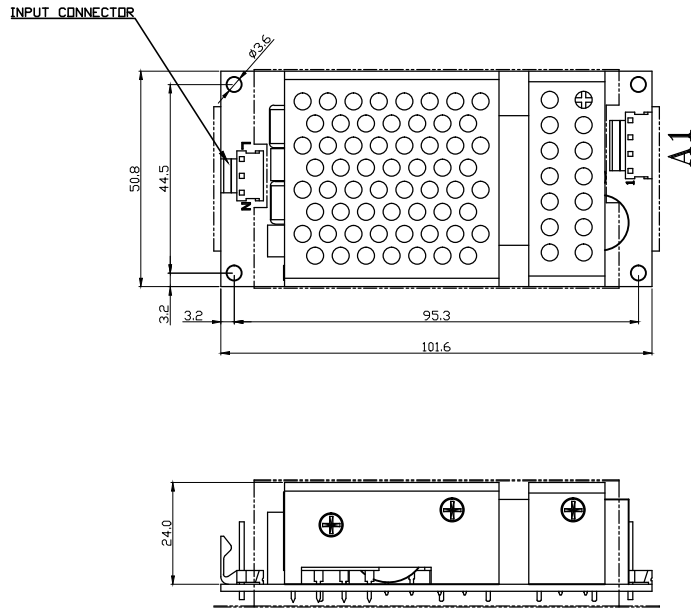


- NOTES: (UNLESS OTHERWISE SPECIFIED)
1. RAW MATERIAL: T ±5% (CLEANING SURFACE)
 2. SURFACE FLATNESS DOES NOT EXCEED 0.02 mm PER 10 mm SQR. AT DEVICE MOUNTING AREA.
 3. REMOVE OIL, BURR AND KEEP GOOD SOLDERING.
 4. OUTSIDE CORNER RADII
= R1(T=0~1 mm)
= R2(T=1~5 mm)
 5. BEND OUTSIDE RADII TO BE R(T+0.5)
 6. MATERIAL MUST COMPLY ROHS
 7. *** CRITICAL DIMENSION.
- THE SUPPLIER MUST BE INSPECTED BY IQC.



INSULATION SHEET
MATERIAL : FORMEX GK-17

CONN.	SOURCE	VENDOR	DESCRIPTION	VENDOR P/N
INPUT	1'nd	WST	HOUSING 3 PDS.	M3-I39601K
	2'nd	EQUIV		
A1	1'nd	WST	HOUSING 4 PDS.	M4-I39601K
	2'nd	EQUIV		

CONN.	PIN NUM	PIN NAME
A1	1	GND
	2	GND
	3	+48V
	4	+48V

RANGE	TOL. +/-				
	NCT	TOL	OTH	PAK	WIR
0 ~ <6	0.20	0.10	0.20	1.00	2.00
6 ~ <30	0.25	0.15	0.35	1.00	3.00
30 ~ <120	0.30	0.20	0.45	2.50	5.00
120 ~ <300	0.45	0.25	0.60	3.50	8.00
300 ~ <600	0.60	0.40	0.80	4.50	10.00
600 ~ <1200	1.00	0.70	1.00	5.50	15.00
ANG. TOL.	0.5°				



Aras Power Technologies Taiwan Branch
美商汎瑞斯電子科技(股)公司台灣分公司



Designed	Jiun Huang	DESCRIPTION:	PSU OUTLINE		PART NO.:	MODEL NO.:		REV.	01	ORIGINAL RELEASE	05/23/13'	Jiun
	Draw		Jiun Huang	MATERIAL			DWG NO.				01	DESCRIPTION
Approved		FINISH		3D FILE		SHEET	1 OF 1	REV.				

1

2

3

4

5

6

7

8