

Switching Power Supply

350 WATT / SINGLE OUTPUT

KEY FEATURES:

- 350 Watts Output Power
- Universal AC input
- 3 Outputs
- Hot Swap package measuring 3.9" x 8.8" x 1.57"
- 80% Efficiency typical
- I²C
- High Reliability in excess of 200,0000 Hours
- International Safety Approvals
- Class B Radiated and Conducted Emissions
- 3 Year Warranty



MODEL	Output Voltage (V)	Regulation	Maximum Current (A)	Ripple/Noise (mVp-p)	Standby (Vs)
ARM-3513-00	+12.0	+/- 5%	15	120	5V/0.5A
	+5V	+/- 5%	30	50	
	+3.3V	+/- 5%	28	50	

INPUT SPECIFICATIONS	
Input Voltage	90 – 264 VAC
Input Frequency	47 – 63 Hz
Input Current	Maximum 6A @ 100 VAC
Inrush Current	40A @ 240 VAC
Input Protection	Fuse
Leakage Current	Maximum 1 mA
Power Factor Correction	Active PFC to meet or exceed EN61000-3-2

OUTPUT SPECIFICATIONS	
Setpoint Accuracy	+/- 1%
Total Output Power	350W
Hold-up Time	1ms @ 100% load
Efficiency	80% typical
Minimum Load	No minimum load
Isolation (HiPot)	1500 VAC Input to Ground
Remote Sense	Compensates for up to 0.5V drop
PSOEN#	Turns on the output when signal goes low (<0.4V)
PowerGood (PG)	Goes high (> 2.4V) within 100ms - 500ms of output in regulation. Goes low (<0.4V) at least 1ms before output out of regulation.
Fail Signal	Signal shall be high (>2.0V) under normal conditions and go low (<1.0V) if any fault occurs.

ENVIRONMENT SPECIFICATIONS	
Operating Temperature	0 °C to +50 °C
Storage Temperature	-40 °C to +85 °C
Internal Fan Cooling	2 x 38mm fans
MTBF	200 kHrs to MIL-HDBK-217F at 25 °C
Shock	Storage: 30G , 11ms, 1/2 sine wave pulse, 6 axis Operation: 5G , 11ms, 1/2 sine wave pulse, 6 axis
Vibration	2G rms, 5Hz to 500kHz, 3 axis

PROTECTION	
Overvoltage	Latch-mode (Cycle AC input or Enable# to reset)
Overpower	Latch-mode (Cycle AC input or Enable# to reset)
Short Circuit	Latch-mode (Cycle AC input or Enable# to reset)

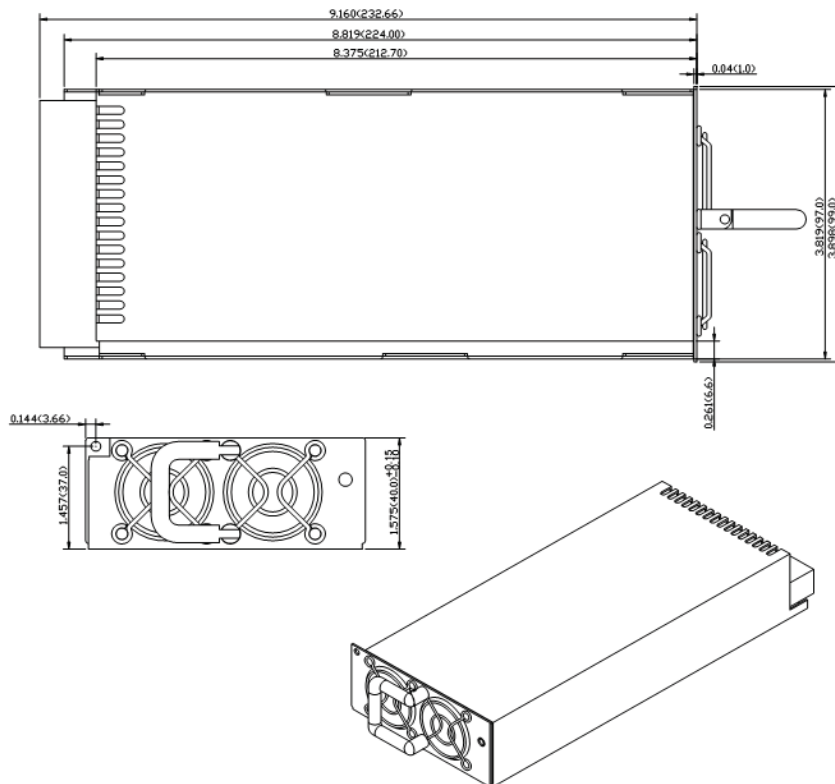


COMPLIANCE

EMI	FCC Class B / EN55022 Class B under all rated input and load conditions
Electrostatic Discharge	EN61000-4-2: Contact Discharge- Contact discharge in 2kV increments to 6kV for metallic surfaces including connector bodies. 10 discharges pretest point at each voltage: 5 positive polarity and 5 negative polarity. Air discharge – Air discharge in 2kV increments to 8kV for scams and non-metallic user accessible surfaces. 10 discharges pretest point at each voltage: 5 positive polarity and 5 negative polarity.
Radiated Susceptibility	EN61000-4-3: Electromagnetic Field Strength 3V/m
EFT / Bursts	EN61000-4-4: Direct Coupling Line to Ground Reference Plane: 1kV increments up to 2kv for a minimum of 1 min. at each voltage. Direct Coupling Neutral to Ground Reference Plane: 1kV increments up to 2kV for a minimum of 1 min. at each voltage. Direct Coupling Ground to Ground Reference Plane: 1kV increments up to 2kV for a minimum of 1 min. at each voltage
Surges	EN61000-4-5: The peak value of the bi-directional surge waveform shall be 2kV for common mode and 1kV for differential modes of transient surge injection. No unsafe operation or no user noticeable degradation is allowed under any condition.
Conducted Immunity	EN61000-4-6: 0.15~800MHz, 10V, 80% AM
Voltage Dips	EN61000-4-10: 95% Dip & 10ms, 30% Dip & 500mS
Voltage Interruptions	EN61000-4-11, 95% reduction, 5s
Fluctuations & Flicker	EN61000-3-3
Harmonic Distortion	EN61000-3-2 Class D
Safety Certifications	cUL UL60950, TUV EN60950-1, VCCI, FCC, CE

Typical Outline Drawing:

(REFER TO PRODUCT MECHANICAL DRAWING FOR COMPLETE INFORMATION)



CONNECTOR

Pin	Signal	Pin	Signal
D2	AC Line	D4	AC Neutral
D6	No Pin	D8	N/A
D10	5V Share	D12	N/A
D14	GND	D16	GND
D18	GND	D20	+5V
D22	+5V	D24	+12V
D26	+12V	D28	+3.3V
D30	3.3V sense	D32	+5Vsb
B2	AC Line	B4	AC Neutral
B6	No Pin	B8	N/A
B10	Fail Signal	B12	N/A
B14	GND	B16	GND
B18	GND	B20	+5V
B22	+5V	B24	+12V
B26	+3.3V	B28	+3.3V
B30	3.3V share	B32	PSON#
Z2	AC Line	Z4	AC Neutral
Z6	No Pin	Z8	GND
Z10	5V sense	Z12	PG
Z14	GND	Z16	GND
Z18	GND	Z20	+5V
Z22	+5V	Z24	+12V
Z26	+3.3V	Z28	+3.3V
Z30	12V sense	Z32	12V share

