

NOTES: UNLESS OTHERWISE SPECIFIED.

1. ALL DIMENSIONS ARE IN MM.  
TOLERANCES TO BE  $\pm 0.5$  MM.

2. PARTS SPECIFIED AS FOLLOWS:

2-1. ENCLOSURE:

MATERIAL: AL, T=1mm.

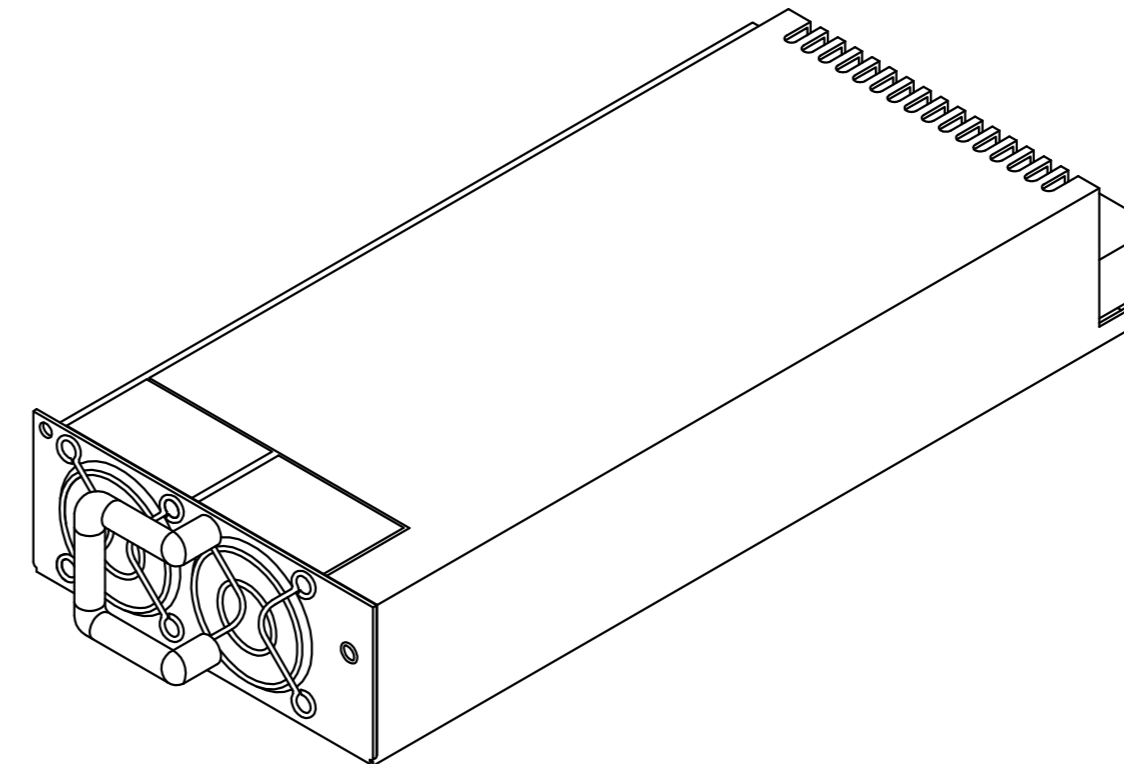
2-2. AC INPUT & DC OUTPUT:

CNA3: HARTING 09061486901 OR EQUIVALENT,  
PIN 6d, 6b, 6z ARE VOID.

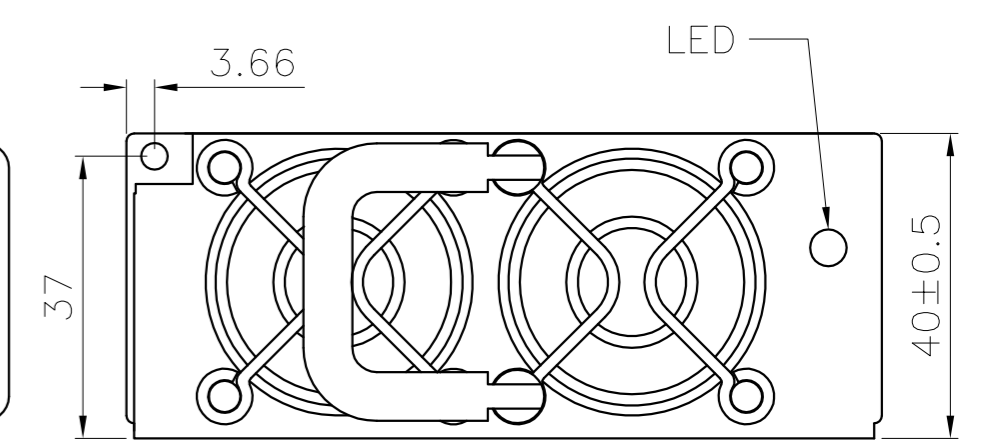
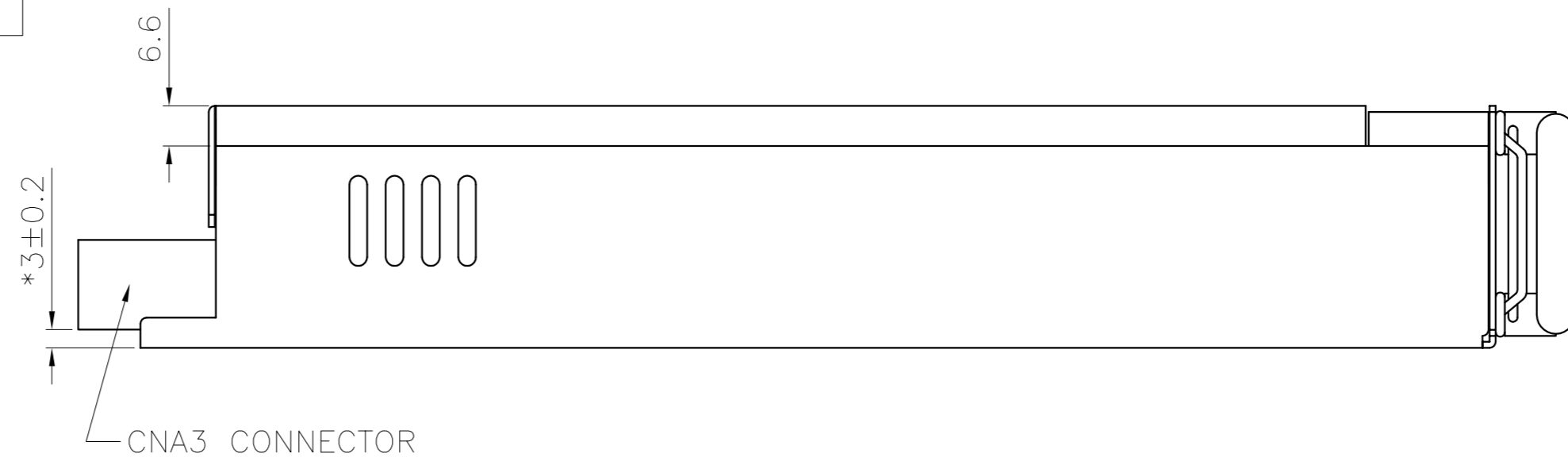
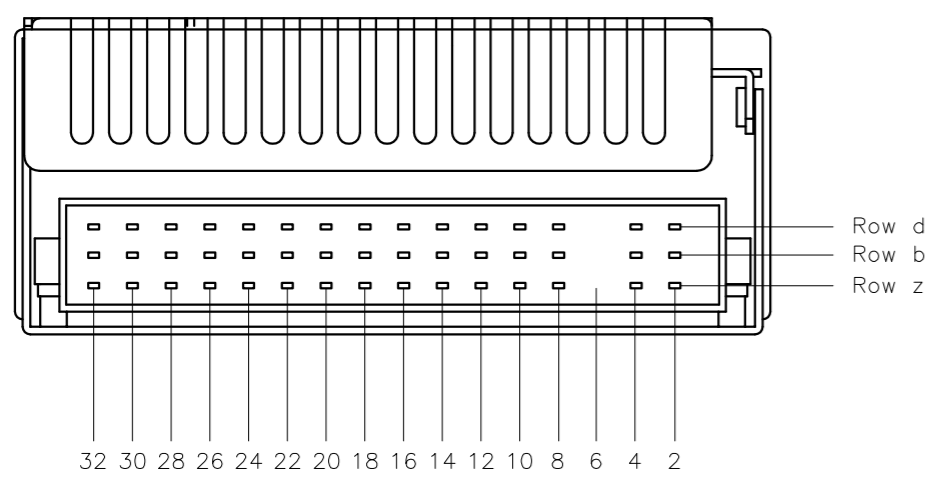
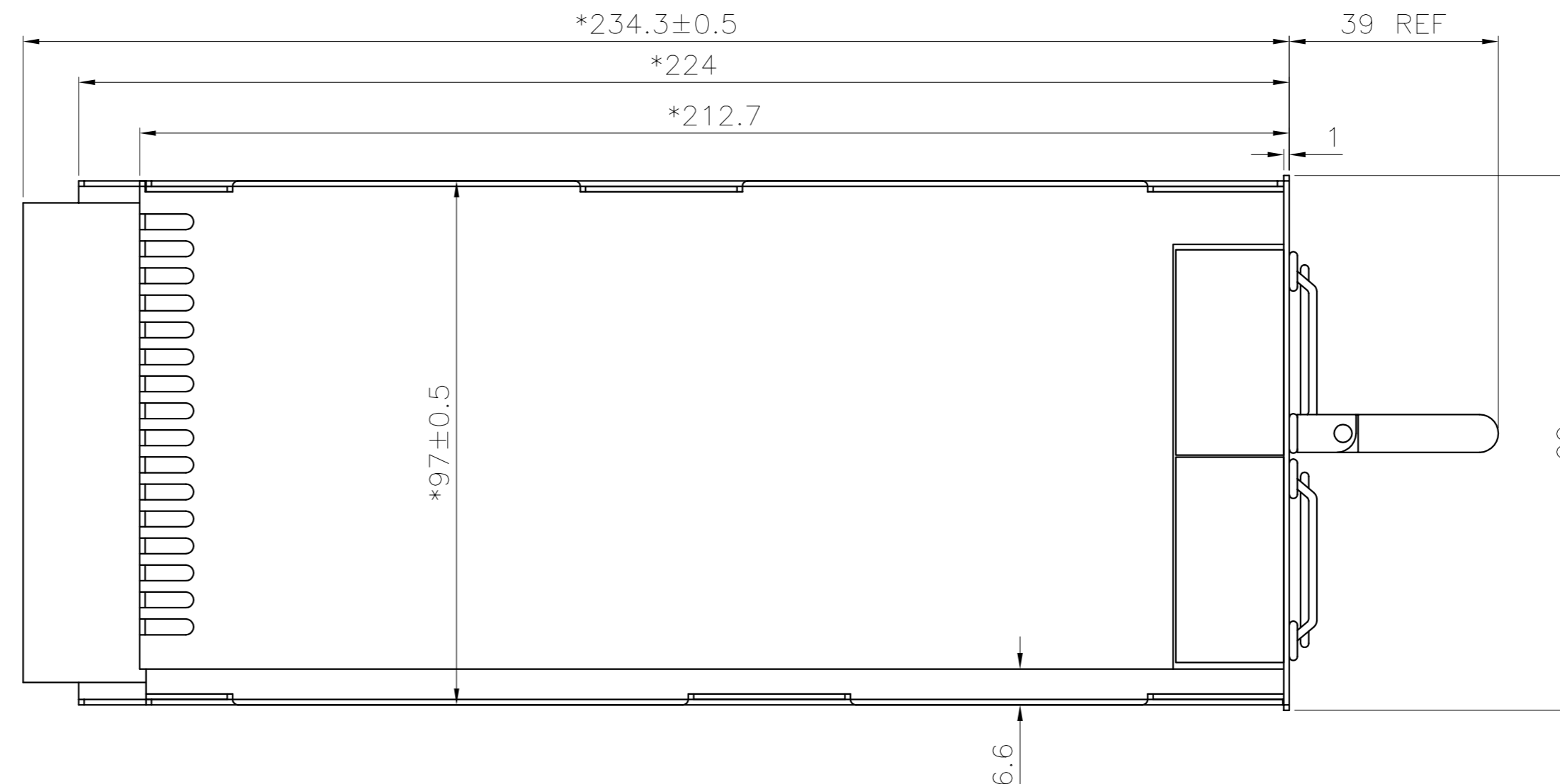
MOLDING: THERMOPLASTIC RESIN,  
GLASS-FIBRE, UL94-V0.

CONTACTS: COPPER ALLOY.

2-3. DIMENSIONS MARKED \* MARK MUST BE  
INSPECTED & CONTROLLED STRICTLY



PIN NO.	Row d	Row b	Row z
2	AC Neutral	AC Neutral	AC Neutral
4	AC Line	AC Line	AC Line
6	N.C	N.C	N.C
8	Not Used	Reserved(future P/S Kill)	Remote Sense
10	5V Share	Fail Signal	5V Sense+
12	Not Used	Not Used	Not Used
14	Ground	Ground	Ground
16	Ground	Ground	Ground
18	Ground	Ground	Ground
20	+5V	+5V	+5V
22	+5V	+5V	+5V
24	+12V	+12V	+12V
26	+12V	+3.3V	+3.3V
28	+3.3V	+3.3V	+3.3V
30	3V Sense+	3V Share	12V Sense+
32	Not Used	PSON	12V Share



 Aras Power Technologies Taiwan Branch 美商汎瑞斯電子科技(股)公司台灣分公司	Designed	KUSH KAO	DESCRIPTION:	PART NO.:	MODEL NO.:									
	Drawn	KUSH KAO	OUTLINE		ARM-3513-00									
	Approved:		Material:	SHEET	1	OF	1	3D FILE						
 THIRD ANGLE PROJECTION	UNITS: mm	SCALE:	A2 SIZE	DATE	Jun-25-2009	Treatment:	DWG NO.	ARM351300-OD	REV.	01	REV.	DESCRIPTION	DATE	APP