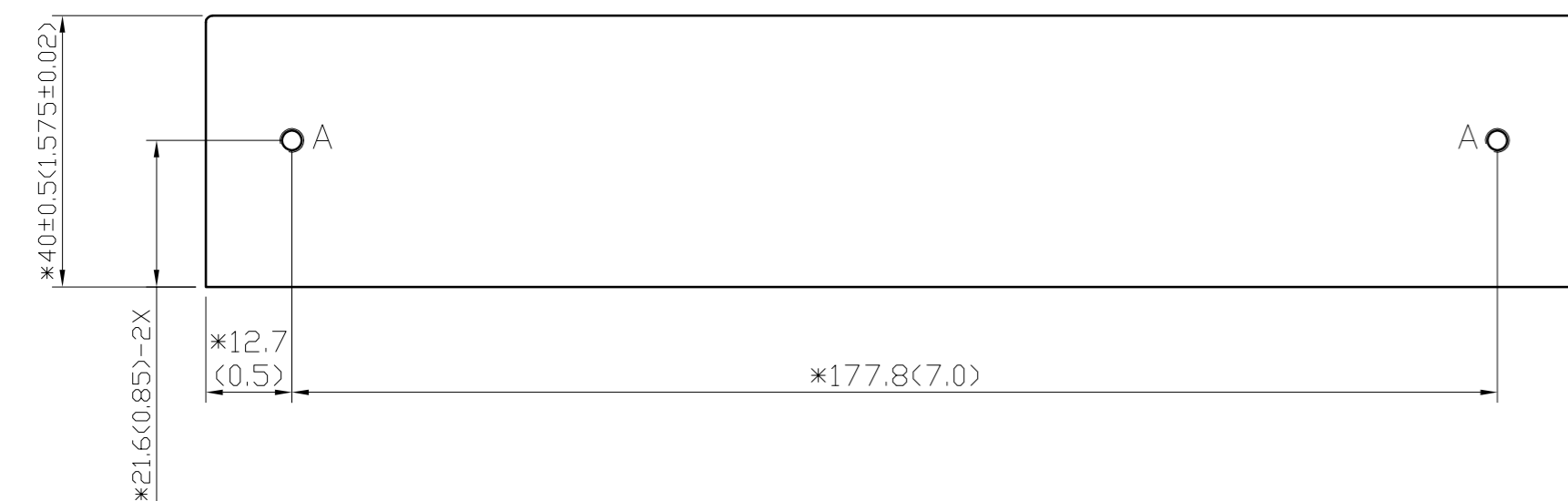
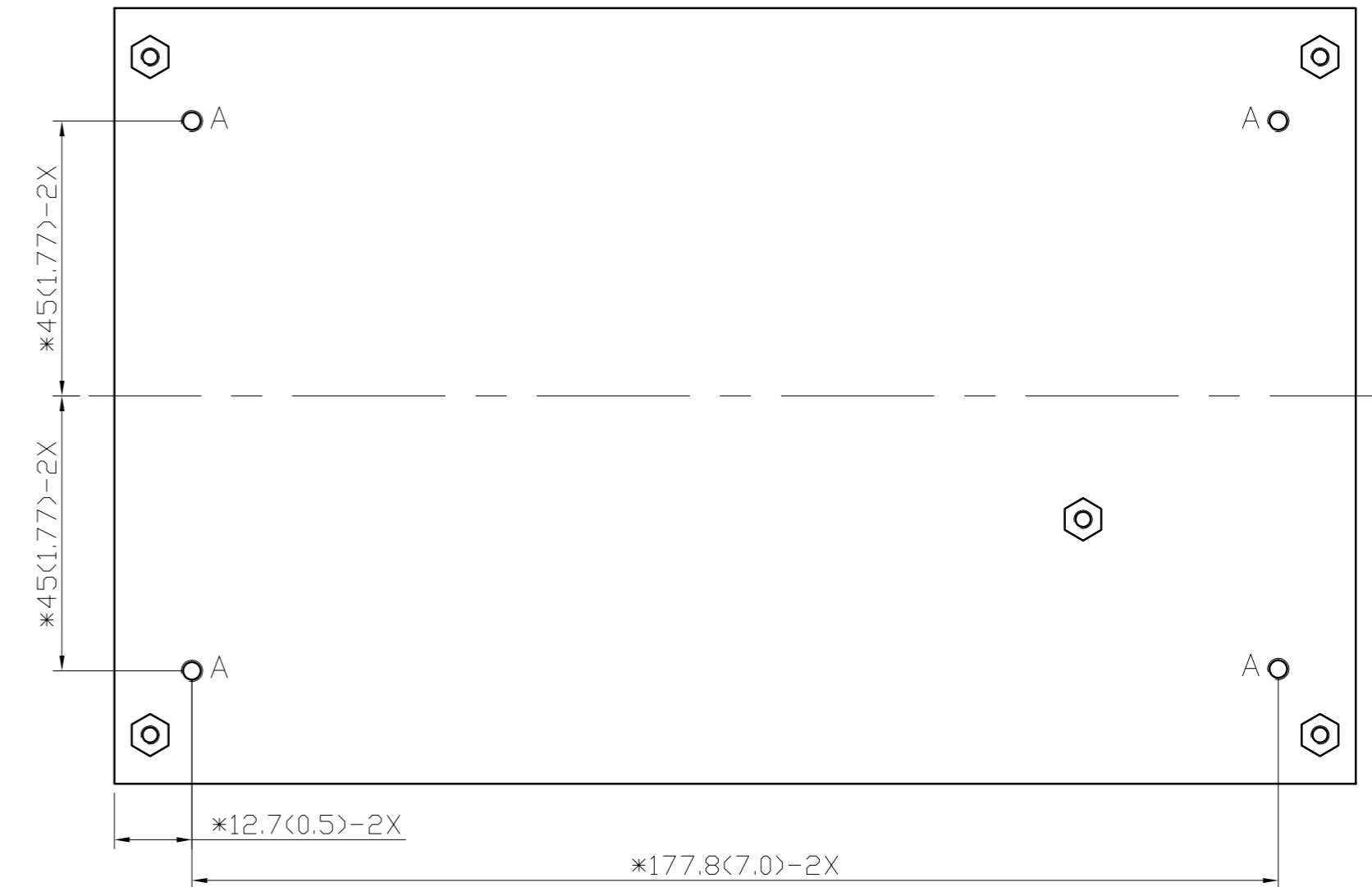
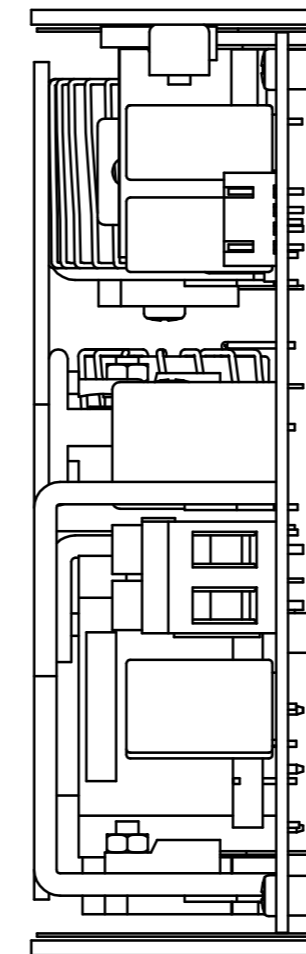
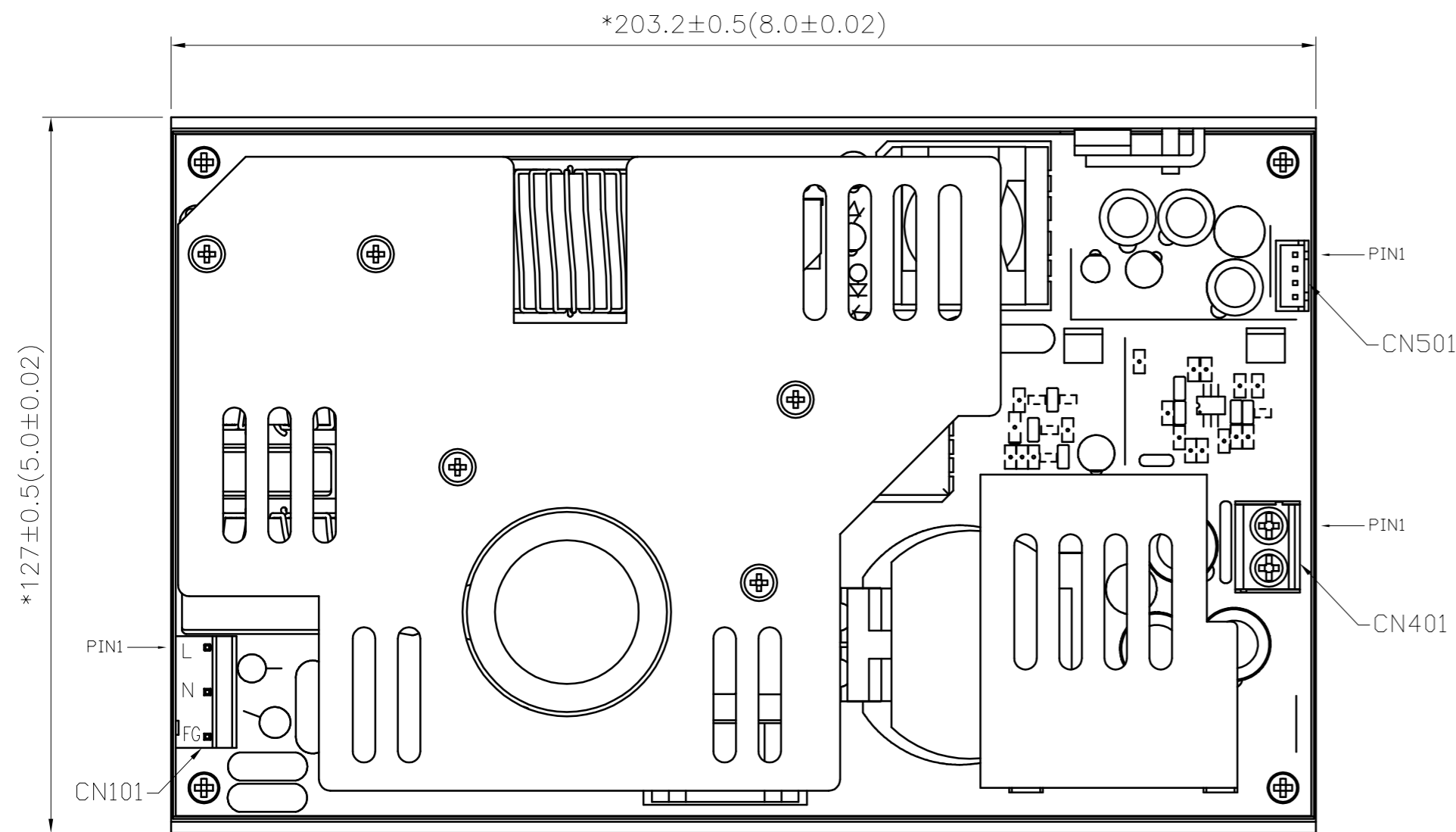
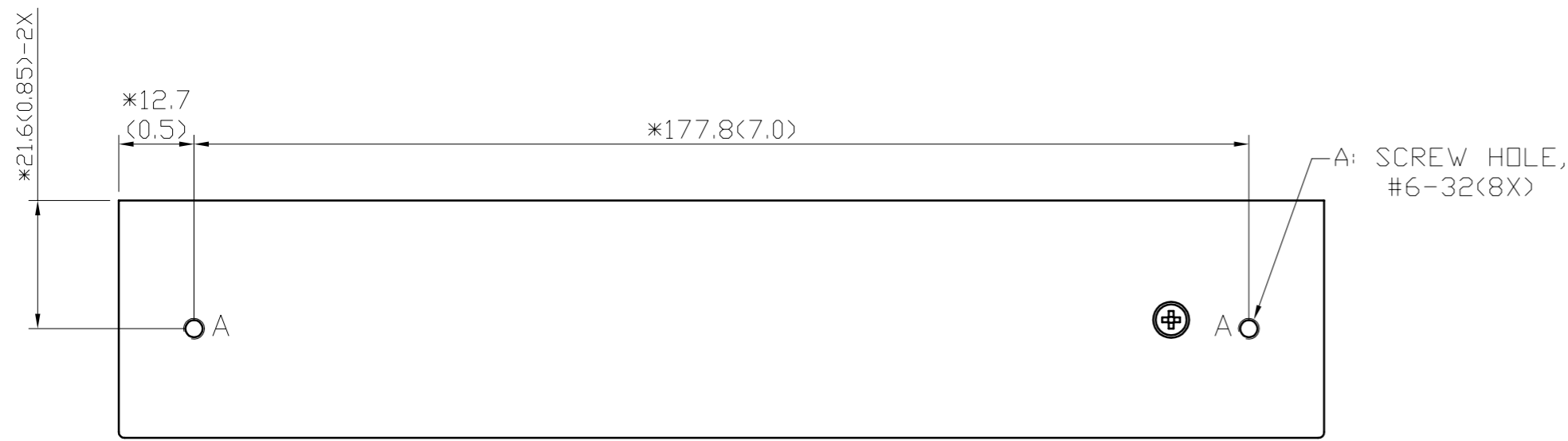
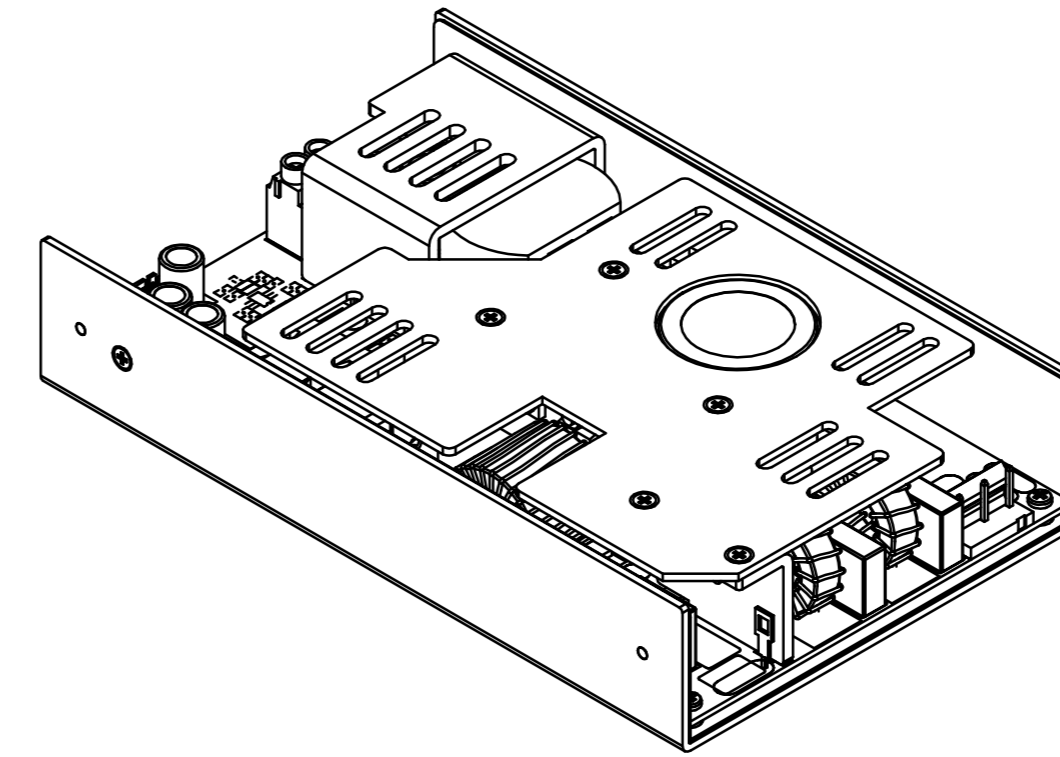


NOTES: UNLESS OTHERWISE SPECIFIED.

- ALL DIMENSION ARE IN mm (in). TOLERANCES TO BE ±0.5 mm.
- BRACKET:
2-1. MATERIAL: AL, T=2mm.
2-2. DO NOT ALLOW SCRATCH ON THE SURFACE, EXTRUDE PORTION SHOULD PREVENT THE DAMAGE OF THE ZINC PLATED LAYER AND OXIDATION.
- AC INPUT:
CN101: MOLEX 09652058 OR EQUIVALENT, 3.96mm PITCH WAFER, PIN 2 AND 4 ARE VOID.
- DC OUTPUT:
CN401: DINKLE ESK750V-2P OR EQUIVALENT, 7.5mm PITCH TERMINAL BLOCK.
CN501: JST B4B-XH-A OR EQUIVALENT, 2.5mm PITCH WAFER.
- DIMENSIONS MARKED * MARK MUST BE INSPECTED & CONTROLLED STRICTLY.



CN101	
PIN1	AC Line
PIN2	N/C
PIN3	AC Neutral
PIN4	N/C
PIN5	AC GROUND

CN401	
PIN1	+300V
PIN2	GND

CN501	
PIN1~2	+12V
PIN3~4	GND

Aras
Aras Power Technologies Taiwan Branch
美商汎瑞斯電子科技(股)公司台灣分公司

Designed	KUSH KAO	DESCRIPTION:	PART NO.:	MODEL NO.:				
Drawn	KUSH KAO	OUTLINE		ARFU-4512M-00				
Approved:		Material:	SHEET	1	OF	1	3D FILE	
		Treatment:	DWG NO.	ARFU4512M00-0D	REV.	A0	REV.	DESCRIPTION
DATE	Jan-22-2015							DATE
								APP